

Materials and Tools

Materials needed for installation:

- Frame Installation Screws - 3" long finish screws may work well in many situations
- Caulk

Tools needed for installation include:

- Pencil
- Steel measuring tape
- Carpenter's Level
- Variable speed power drill with driver bits
- 3/32" drill bit - needed for pre-drilling holes. This is used for mounting into wood that may be susceptible to cracking. Pre-drilling holes is recommended for regular installs to help start pilot the screw.

Caution: All screws holes should be pre-drilled to prevent cracking of the material finish. Damage to the materials made during shutter installations can also happen when screws are over tightened. We recommend that you do not make the final turn of a screw with a power driver. Instead, use a power driver to tighten a screw most of the way and then snug the screw by hand. Once a screw is over-tightened, damage cannot be repaired.

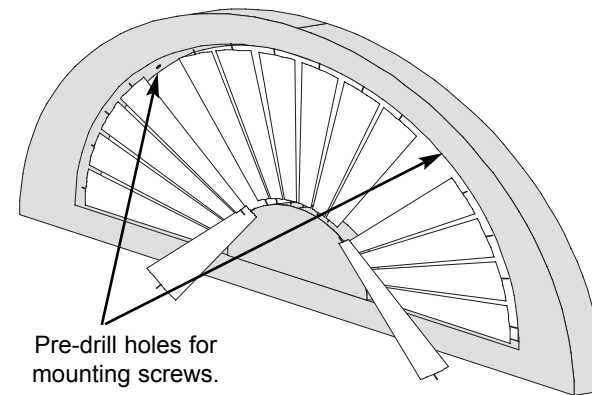
INSIDE MOUNT

STEP ONE

Center the arch in the opening to assure that it will properly fit. NOTE: The arch beaded moulding should be flush with the wall, and the arch should be resting on the sill (to support the weight of the arch).

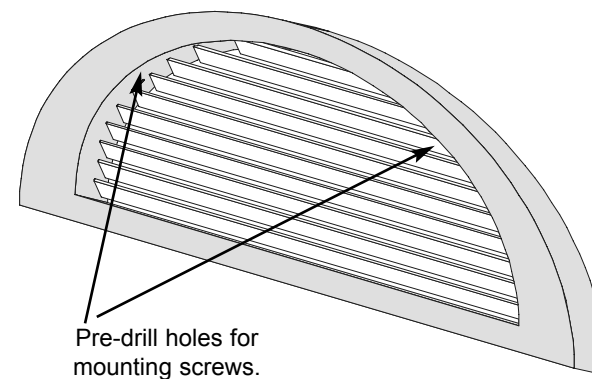
STEP TWO - Burst Arches

Sunburst Louvers are spring loaded. By pressing down on a louver it can be removed and a pilot hole can be drilled in the louver hole, up into the arch of the window. This should be done at 10 o'clock and 2 o'clock positions along the circumference of the unit.



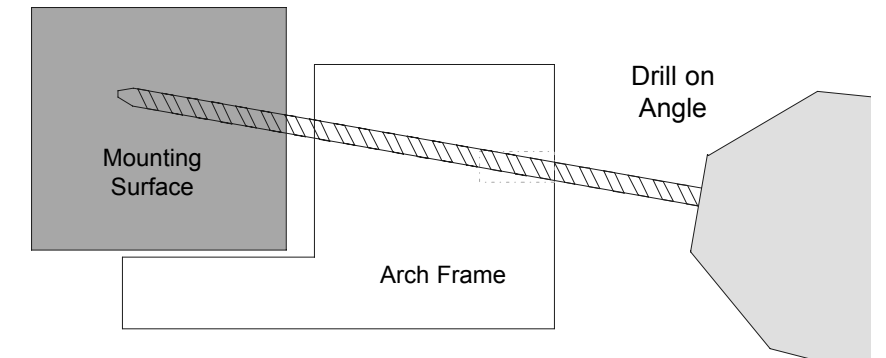
STEP TWO - Horizontal Arches

Horizontal style bursts do not have removable louvers. Pilot holes should be drilled slightly to the front of the louvers, also at the 10 o'clock and 2 o'clock positions.



STEP THREE

Keeping the arch centered in the opening with the beaded moulding flush to the wall, drill pilot holes into the mounting surface through the louvers pre-drilled screw holes.



- * Use a long 3/32" drill bit.
- * Angle the drill in towards the window to assure that the screws will not be placed too close to the edge of the mounting surface.
- * Be careful not to damage the slats with the chuck of the drill.

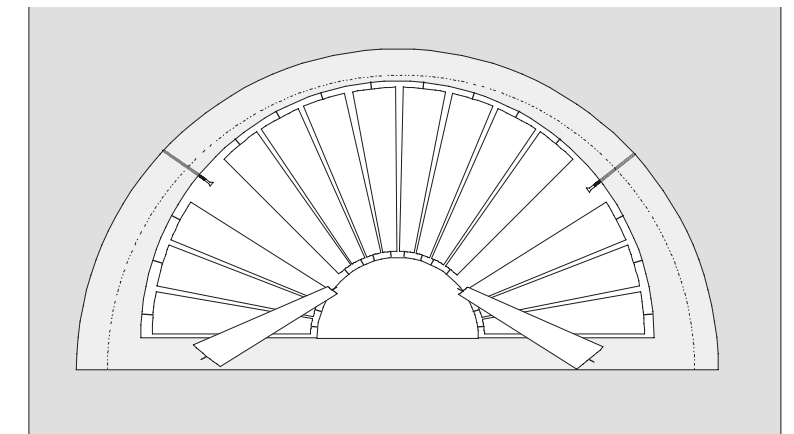
STEP FOUR

After drilling each hole, place a long trim screw into the hole and screw it in slightly, but do not tighten.

STEP FIVE

While keeping the arch centered in the opening, tighten all the screws until they are snug.

- * Do not over-tighten the screws as this will cause the arch to move off center.



STEP SIX - Burst Arches

Replace the louvers into their proper positions. Open or close the louvers by rotating manually to achieve the desired amount of light control.

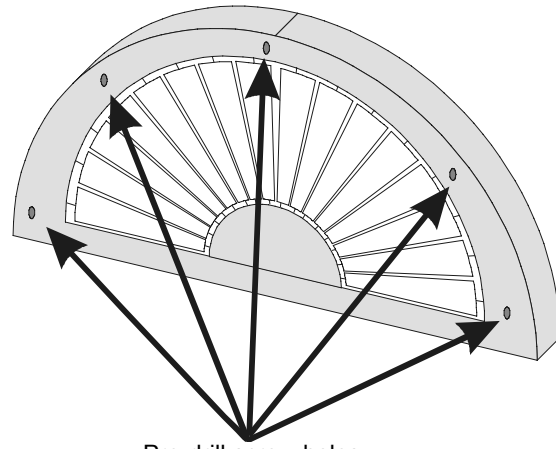
STEP SIX - Horizontal Arches

Use a small amount of caulk or putty to patch holes for the installation screws.

OUTSIDE MOUNT

STEP ONE

Pilot holes should be drilled through the face of the unit in 3 to 5 locations (5 recommended over 42" wide).



Pre-drill screw holes

STEP TWO

Center the arch over the opening to assure that it will properly fit.
NOTE: The back of the arch should be flush with the wall.

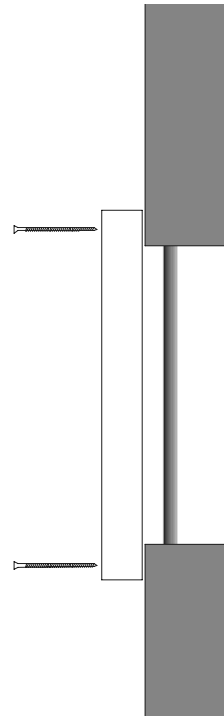
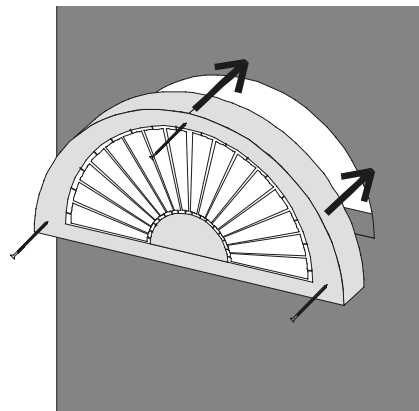
STEP THREE

Keeping the arch centered over the opening with the beaded moulding flush to the wall, drill pilot holes into the mounting surface through the pre-drilled screw holes.

- * Use a long 3/32" drill bit.
- * Drill straight back into the mounting surface.

STEP FOUR

After drilling each hole, place a long trim screw into the hole and screw it in slightly, but do not tighten.



STEP FIVE

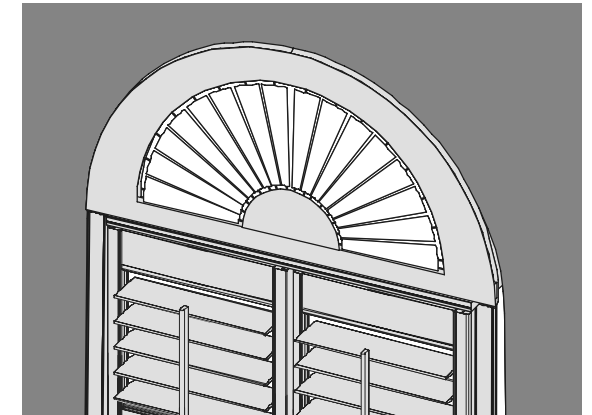
While keeping the arch centered in the opening, tighten all the screws until they are snug.

- * Do not over-tighten the screws as this may cause the arch to crack.

STEP SIX

Use a small amount of caulk or putty to patch holes for the installation screws

WOODWIND SPECIALTY ARCHES



INSTALLATION QUICK REFERENCE

This document is not intended to dictate requirements for installing Woodwinds Arches. It is only a reference guide for one method of installation. Each particular application may require different alternatives to the guidelines described.