

## BASICS

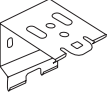


With proper installation and care, your new shades will provide many years of beauty and performance.

Following these instructions makes installation easy. First, gather all the materials and tools needed to install the shade.

Materials included with each order:

- shade assembly
- mounting brackets with screws\*
- optional accessories
  - extension brackets with screws\*
  - hold-down brackets with screws\*

\*Refer to the chart below for required quantities per shade.

BRACKET TYPE	Brackets Required for Headrail Width		
	To 42"	> 42" to 80"	> 80" to 96"
Installation Bracket 	2	3	4
Optional Extension Bracket 	2	3	4
Optional Hold-down Bracket 	2	2	2

Tools required:

- carpenter's level
- fasteners (see chart below)
- measuring tape
- pencil
- power drill and drill bits
- scissors
- screwdrivers: hex or phillips head

### Mounting Surface/ Fastener Recommendations

Mounting Surface	Fastener
Drywall, Plaster	Wall Anchors, Expansion Bolts
Wood, Metal	Sheet Metal Screws

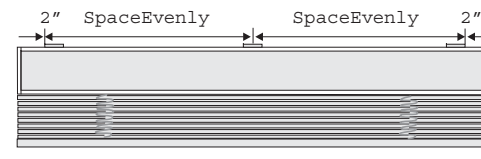
## 1 ATTACH INSTALLATION BRACKETS

The installation hardware received with your monocontrol horizontal blind is based upon installation needs (standard or optional bracket mount) specified at the time of ordering.

### BRACKET SPACING

Bracket spacing is the same for both inside and outside mounts. Measure and *mark* all bracket locations before installing.

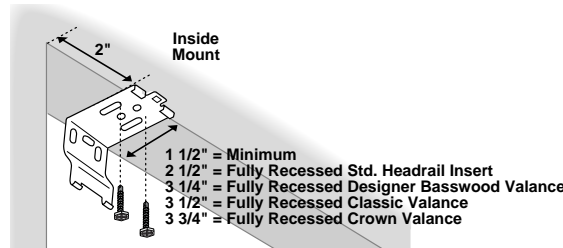
- Position two installation brackets on the mounting surface so that their edges are 2" in from the ends of the shade.



- Space additional brackets, if needed, evenly between them.

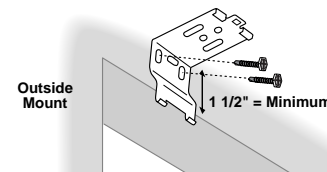
### INSIDE MOUNT APPLICATIONS

- The tops of the installation brackets attach to the top of the window opening using two screws per bracket.
- Minimum depth for inside mount is 1 1/2".
- A minimum of 2 1/2" is needed to fully recess the blind with the standard headrail insert. 3 1/4" depth is needed if an optional Designer Basswood valance was ordered. 3 1/2" depth is needed with Classic valance and 3 3/4" depth with Crown valance.
- Align the brackets to the inside of the mark on the mounting surface.
- Adjust the bracket placement to accommodate any obstruction to the bottom rail, such as a window crank or handle.
- Check that the bracket front edges are aligned and level, and then attach.**



### OUTSIDE MOUNT APPLICATIONS

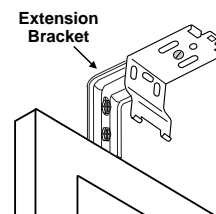
- The backs of the installation brackets attach to a surface using two screws per bracket.
- Minimum mounting surface is 1 1/2".
- Align the brackets to the inside of the mark on the mounting surface.
- Check that the bracket front edges are aligned and level, then attach.**



### EXTENSION BRACKETS (OPTIONAL)

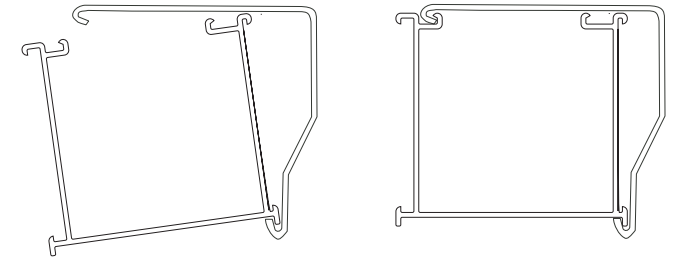
Extension brackets project the installation bracket up to 2 5/8" from the mounting surface.

- Align the brackets along the mark on the mounting surface.
- Align the tops of the brackets using a carpenter's level and attach.
- Attach the installation brackets to the extension brackets using the machine screw and nuts provided.



## 2 INSTALL THE BLIND ASSEMBLY

- With the front of the blind facing you, slip the headrail into the installation brackets. (If an optional valance was ordered, the front of the headrail is the side with the larger groove.)
- Insert the back lip on the bottom of the headrail into the bottom groove on the brackets.
- Push on the rail until the top groove snaps into place.



## 3 CHECK OPERATION

### SHADE OPERATION

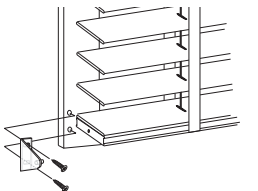
- A continuous monocontrol cord loop operates the tilting and lifting functions of the blind.
- Monocontrol horizontal blinds can only be lifted when the slats are tilted in the closed position.

## 4 ATTACH ACCESSORIES

### OPTIONAL HOLD-DOWN BRACKETS

Optional hold-down brackets secure the bottom rail to the sill when the shading is fully lowered.

- Fully lower the shade.
- Place the pin on each of the two hold-down brackets into the hole in the bottom rail and mark mounting locations.
- Attach the hold-down brackets with two screws.
- Be sure the bracket pins are aligned and level.



## CHILD SAFETY



The Consumer Product Safety Commission requires the use of a cord tie down (cord tensioner) on all continuous loop cord systems. The use of such a device is intended to significantly reduce the occurrence of infant or small child strangulation injuries or deaths resulting from the looped pull cords on various window treatment products.

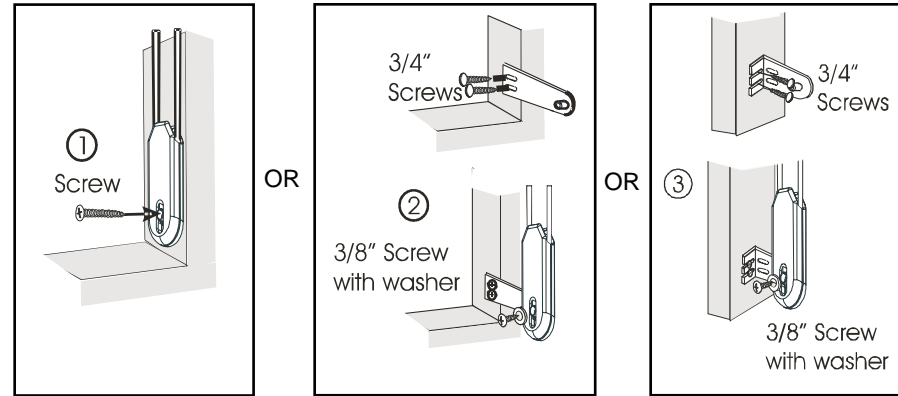
The Cord Tensioner is installed on the Lift Cord before packaging. The Tensioning device should be mounted in the proper position to pull the cord taut in order to reduce the possibility of injury.

## TENSIONER INSTALLATION

Lower the blind. Choose one of the three installation methods shown to position the tension device on the window frame or the wall so that the tension device and the control cord do not interfere with shade operation.

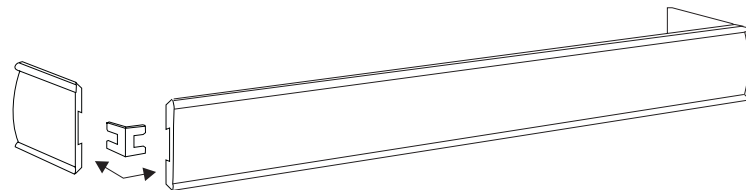
The control cord must be taut but still operable. Do not allow for any slack. Do not twist or cross the control cord.

## MOUNTING OPTIONS



## VALANCE ASSEMBLY (OPTIONAL)

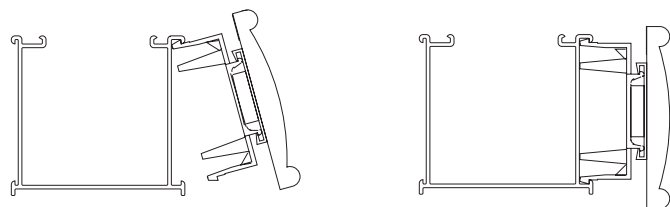
If the returns are not already attached to the valance face, slide one end of a corner connector into the channel on the back of the return. Slide the opposite end into the channel on the back of the valance face. Repeat for the second return.



## VALANCE INSTALLATION

Slide the valance clips into the PVC extrusion pieces on the back of the valance.

Hold the valance in position and snap the clips into place as shown.



## CARE AND CLEANING

The polymer coating on horizontal blinds resists chipping, cracking, fading and is inherently dust repellent.

### DUSTING

- ♦ Regular light dusting with a feather duster is all that is needed in most circumstances.

### VACUUMING

- ♦ Light vacuuming with a brush attachment may be used if more thorough dust removal is necessary.

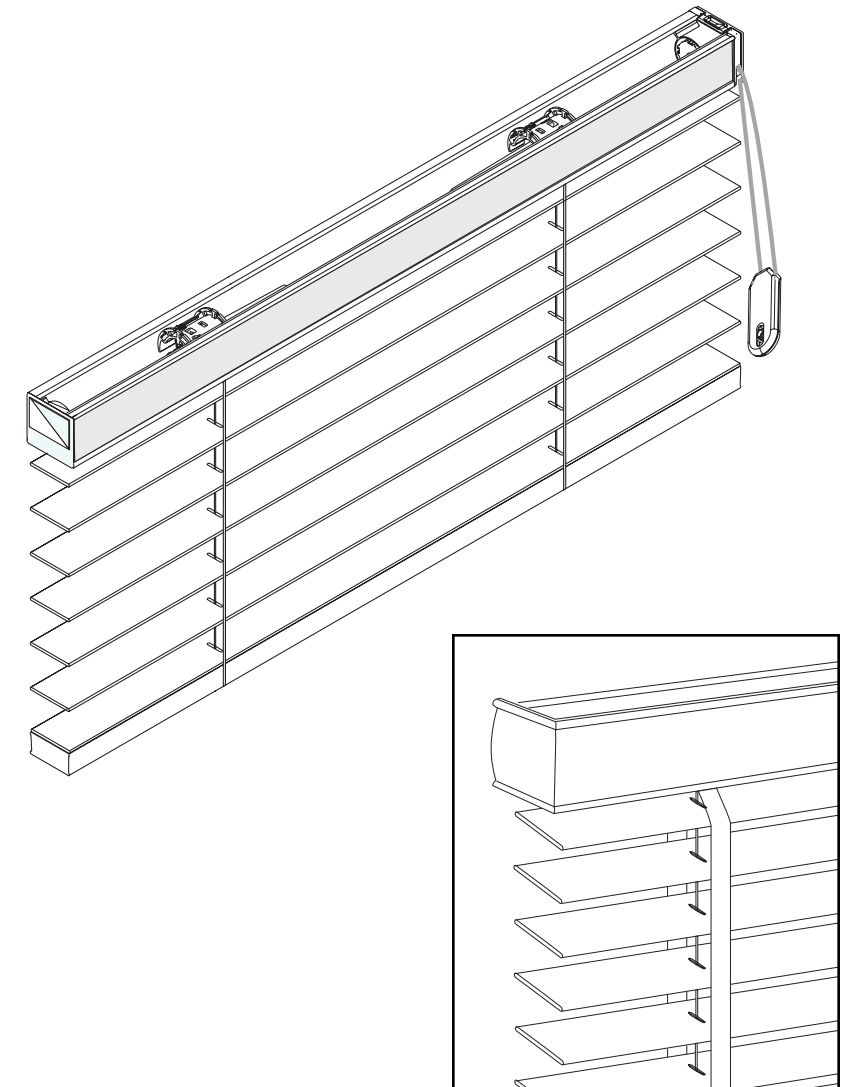
### SPOT CLEANING

- ♦ Slats can be cleaned with soap and water to remove stains.

### CLEANING

- ♦ Slats are fully washable and will not warp if exposed to water or humid conditions.

# Monocontrol Horizontal Blind



## Installation and Care Instructions