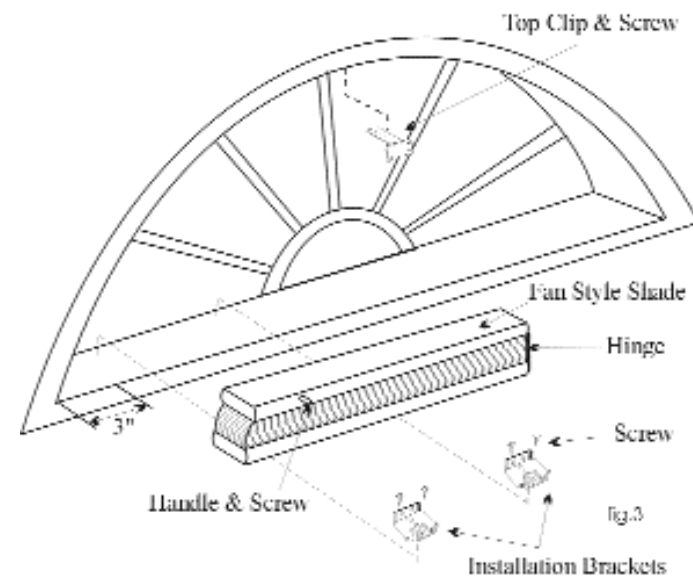


## MOVEABLE FAN STYLE ARCH

### Bracket Installation

- For shades stacking on the left, mount one Installation Bracket approximately 3" from the left side of the opening and the other bracket 3" to the left of the center line.
- For shades stacking on the right, mount one Installation Bracket approximately 3" from the right side of the opening and the other bracket 3" to the right of the center line.

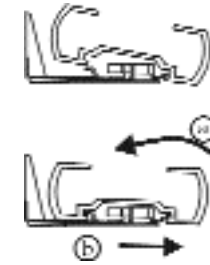


### Top Clip Installation

- Mount the Top Clip at the top of the arch opening.
- Make sure that there is clearance for the moving rail to pass behind the clip.
- The length of the Top Clip can be trimmed with a pair of tin snips.

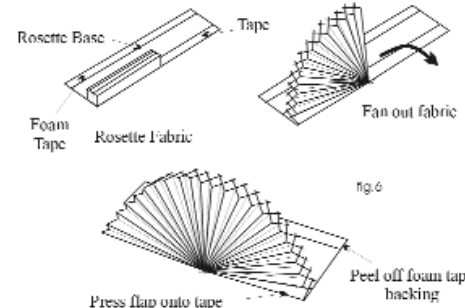
## Installation of the Rail into the Brackets

- Catch the front groove of the rail with the front groove of the bracket.
- Center the rail in the window opening.
- Push the rail back and down to catch the back of the rail in the bracket (a). Then release (b).

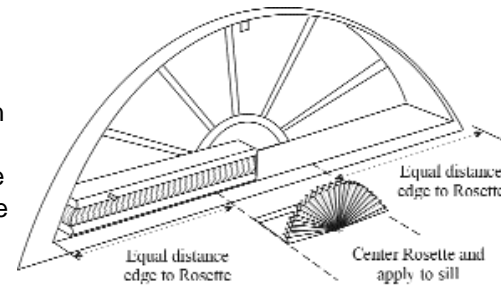


## Rosette Assembly and Installation

- The Rosette is sent in a closed stack.
- Peel off the release liner from the tape on the top front of the Rosette base.
- Fan out the fabric and press the fabric onto the tape as shown.



- Peel off the release liner from the foam tape on the back bottom of the Rosette base and attach the Rosette to the sill as shown.
- The Rosette should be centered in the window opening.



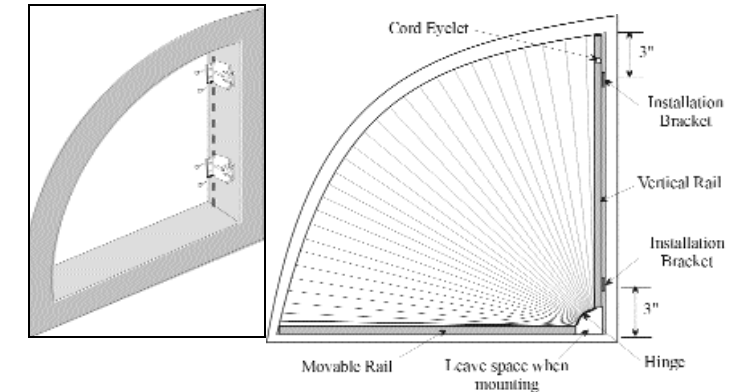
## Operation

- Apply downward pressure on the handle when operating the shade to clear the Top Clip.

## MOVEABLE QUARTER ROUND SHADE

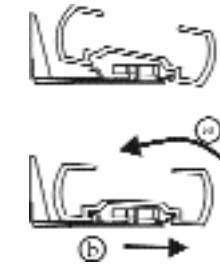
### Bracket Installation

- Mount the brackets to the inside vertical surface.
- Place one bracket approximately 3" from the bottom and the other bracket 3" from the top.



The cord eyelet is on the top of the vertical rail. Mount the vertical shade rail into the brackets as shown.

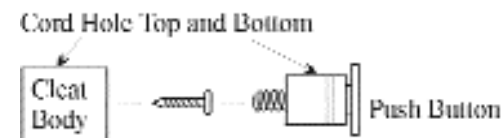
- Catch the front groove of the rail with the spring loaded tip of the bracket.
- Position the rail in the window opening. Make sure to leave a space at the pivot as shown above.
- Push the rail toward the window, compressing the tip, to catch the back of the rail in the bracket (a). Then release (b).



## MOVEABLE QUARTER ROUND SHADE

### **Cord Cleat**

Mount the spring loaded cord cleat on the frame or wall at a convenient height. Disassemble the push cleat by pulling the push button out from the cleat body and install with the screw provided. Replace the push button in the cleat body. Push the button all the way in and string the single shade cord through the cleat. Add the tassel.



### **Operation**

Pull the cord down to bring the shade to a stack position. The shade stacks against the vertical rail. Push the button in to release the cord and lower the shade across the window.

**WARNING** To avoid possible strangulation, keep cords out of the reach of children

### **Cleaning and Care**

The Shade fabric is easy to care for. Regular dusting with a feather duster or vacuum cleaner brush is recommended. Most stains can be blotted with a damp sponge and mild detergent. For problem stains, the Shade can be removed from the mounting brackets and soaked in warm water. When damp, raise Shade tightly to re-crisp pleats. Before using anything stronger than mild detergent and lukewarm water, test an unobtrusive corner of the shade. If you have any questions, call your dealer for advice.

US Patent No. 5,015,317; 5,193,601; 5,002,112; 4,934,434 & 5,156,196. Additional US and Foreign patents pending.

152030

1/29/02

# Moveable Fan Style Archtop Shades

## INSTALLATION INSTRUCTIONS

